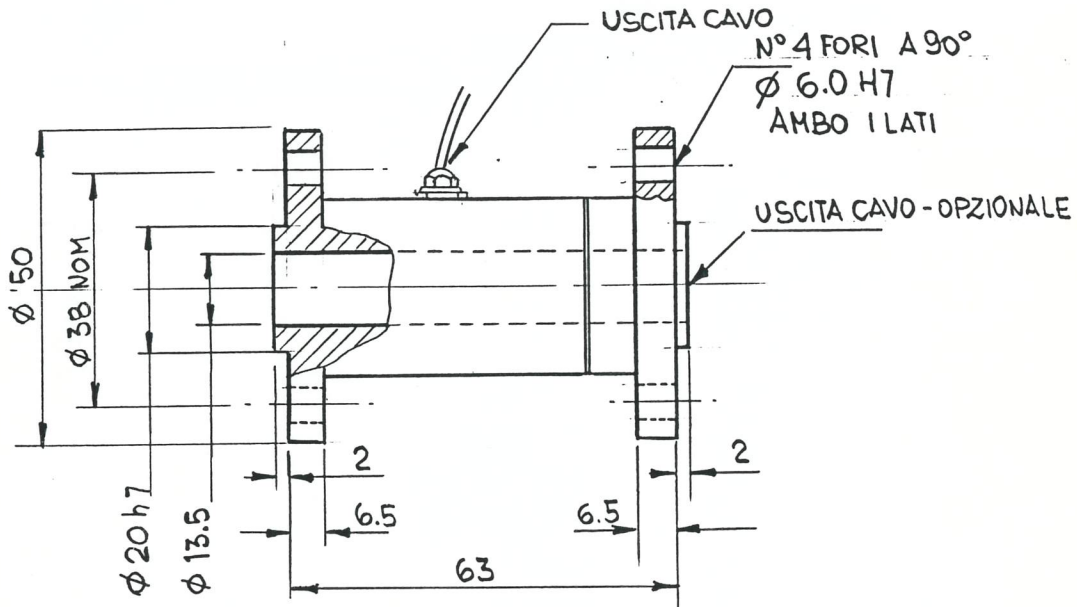


TORSIOMETRI STATICI DA 8 a 100 Nm TIPO TR 11



SPECIFICATIONS

Non-Linearity - % Rated Output	+/-0.04
Hysteresis -% Rated Output	+/-0.03
Non-Repeatability - % Rated Output	+/-0.02
Temperature Range, Compensated - °C	+0 to +60
Temperature Effect on Rated Output - % of Reading	+/-0.002/°C
Temperature Effect on Zero	+/-0.002/°C
Creep, After 20 min - % Rated Output	+/-0.04
Overload Ratings + % Rated Capacity Safe	+/-150
Nominal Output - mV/V	2 to 3
Zero Balance + % Rated Output	+/-1
Input Resistance - Ohms	350+/-3.5
Output Resistance - Ohms	350+/-3.5
Excitation Voltage, Recommended - VDC	10
Excitation Voltage, Maximum - VDC	15
Insulation Resistance, Bridge to Case - MegaOhms	5000

Dimensions are in mm