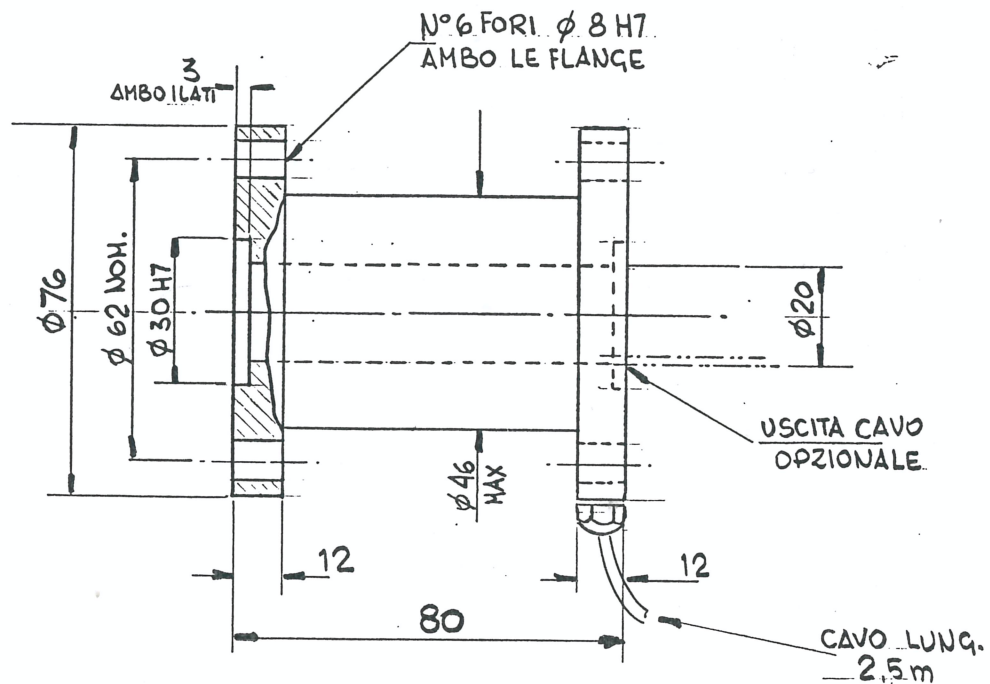


## TORSIOMETRI STATICI DA 250-500 Nm TIPO TR 12



## SPECIFICATIONS

Non-Linearity - % Rated Output	±0.04
Hysteresis - % Rated Output	±0.03
Non-Repeatability - % Rated Output	±0.02
Temperature Range, Compensated - °C	+0 ÷ +60
Temperature Effect on Rated Output - % of Reading	±0.002/°C
Temperature Effect on Zero	±0.002/°C
Creep, After 20 min - % Rated Output	±0.04
Overload Ratings + % Rated Capacity Safe	±150
Nominal Output - mV/V	2 ÷ 3
Zero Balance + % Rated Output	±1
Input Resistance - Ohms	350±10%
Output Resistance - Ohms	350±10%
Excitation Voltage, Recommended - VDC	10
Insulation Resistance, Bridge to Case - MegaOhms	5000

Dimensions are in mm